

1" GALVANIZED EMT CONDUIT
(1.163 OD, 1.049 ID)

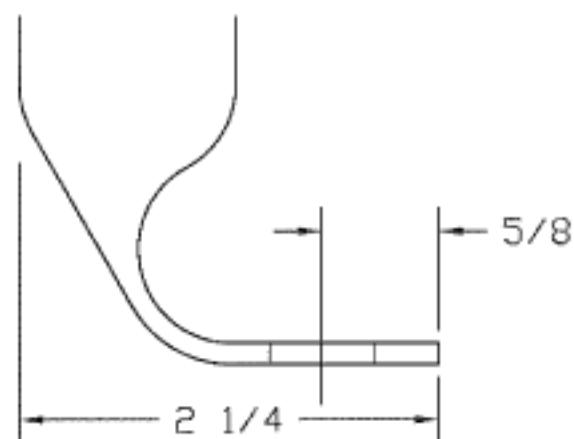
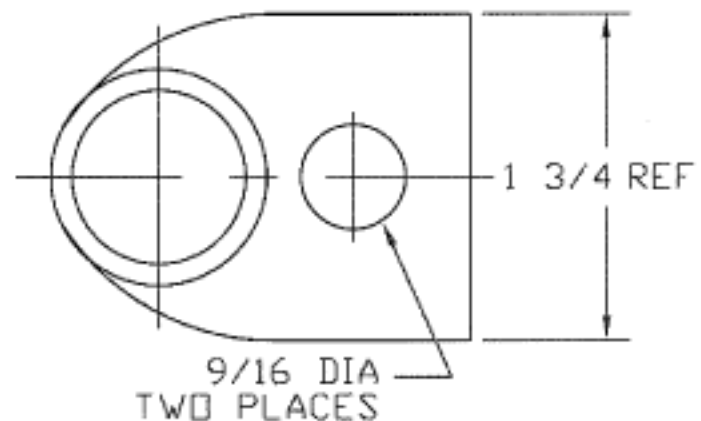
R15 1/4

30 3/4

30 1/2

REVISIONS

ZONE	REV	DESCRIPTION	DATE	APPROVED
	B	REVISED & REDRAWN	15MAR99	



FULL SCALE DETAIL



BAND 125 GALLON
HORIZONTAL TANK

JTP 15MAR99

SIZE
A

FSCM NO.

DWG NO.

REV
B

SCALE 1/8

SHEET